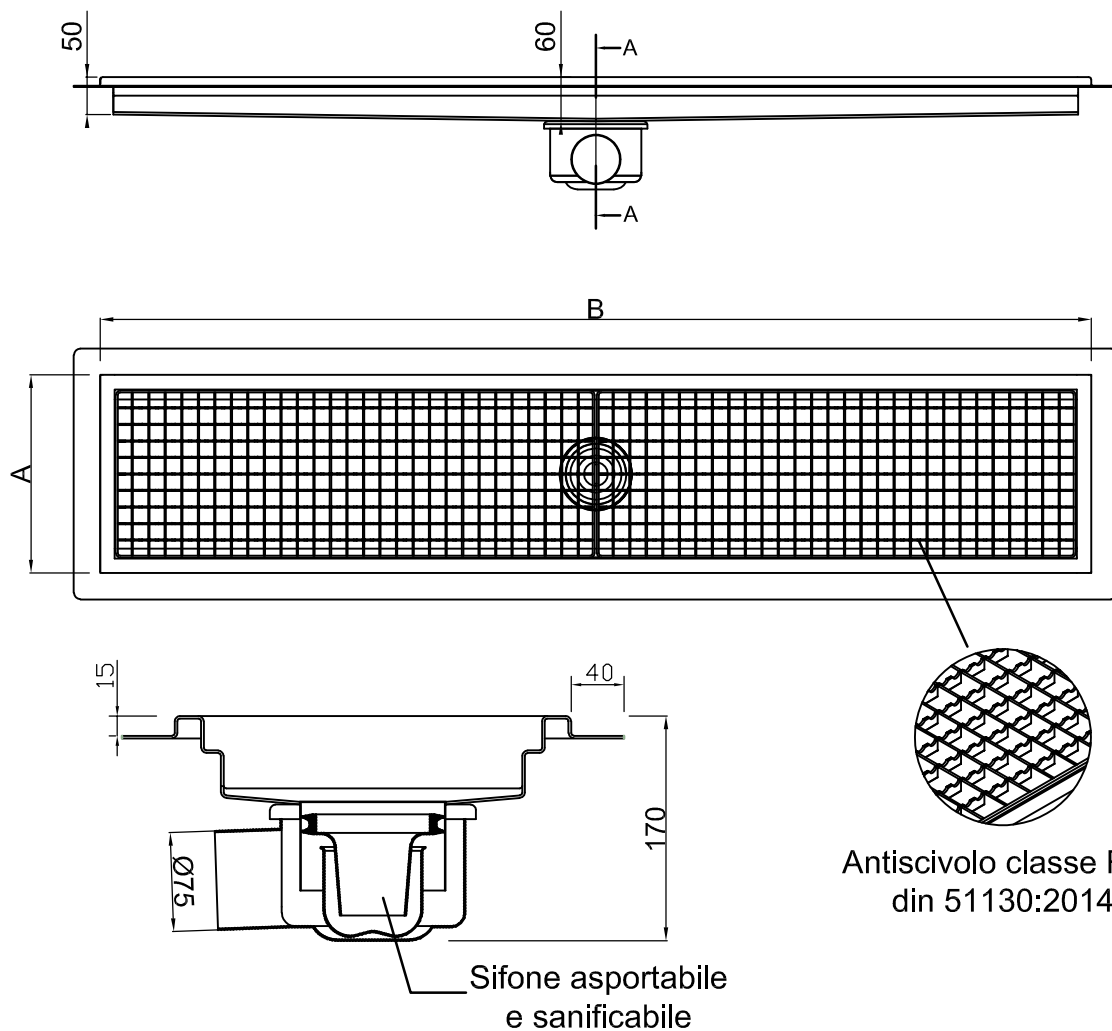
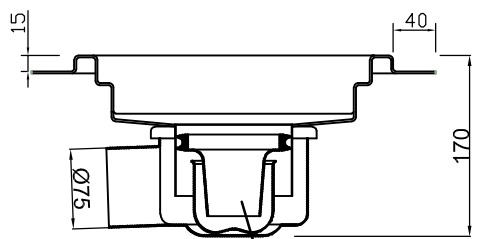
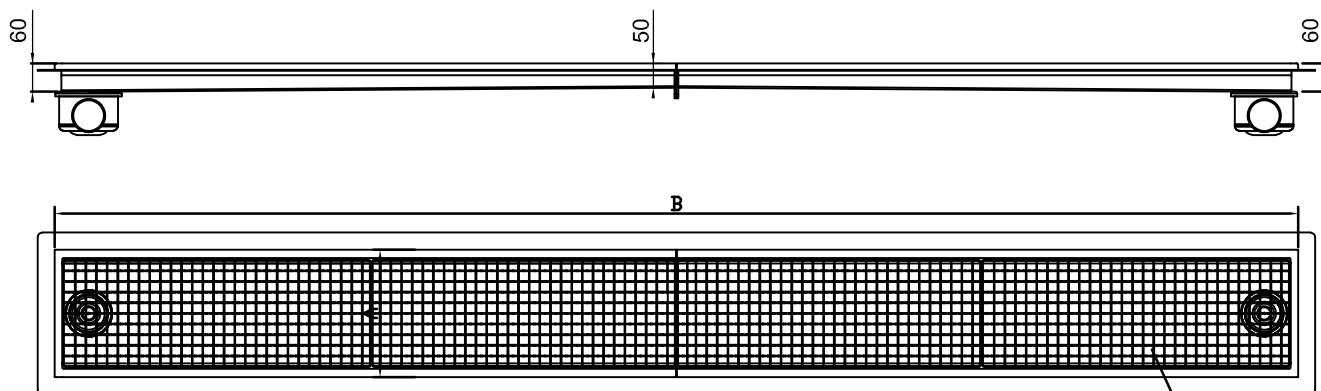


TABELLA VASCHETTE CON PER BORDO GUAINA

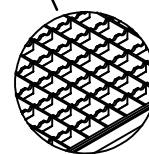


Codice	A (mm)	B (mm)	CESTO FILTRO SOTTOGRIGLIA (optional)	Quantità
V20080SC110-BG	200	800	<input type="checkbox"/>	<input type="checkbox"/>
V20120SC110-BG	200	1200	<input type="checkbox"/>	<input type="checkbox"/>
V20160SC110-BG	200	1600	<input type="checkbox"/>	<input type="checkbox"/>
V20200SC110-BG	200	2000	<input type="checkbox"/>	<input type="checkbox"/>
V20240SC110-BG	200	2400	<input type="checkbox"/>	<input type="checkbox"/>
V30080SC110-BG	300	800	<input type="checkbox"/>	<input type="checkbox"/>
V30120SC110-BG	300	1200	<input type="checkbox"/>	<input type="checkbox"/>
V30160SC110-BG	300	1600	<input type="checkbox"/>	<input type="checkbox"/>
V30200SC110-BG	300	2000	<input type="checkbox"/>	<input type="checkbox"/>
V30240SC110-BG	300	2400	<input type="checkbox"/>	<input type="checkbox"/>
V40080SC110-BG	400	800	<input type="checkbox"/>	<input type="checkbox"/>
V40120SC110-BG	400	1200	<input type="checkbox"/>	<input type="checkbox"/>
V40160SC110-BG	400	1600	<input type="checkbox"/>	<input type="checkbox"/>
V40200SC110-BG	400	2000	<input type="checkbox"/>	<input type="checkbox"/>
V40240SC110-BG	400	2400	<input type="checkbox"/>	<input type="checkbox"/>
V50050SC110-BG	500	500	<input type="checkbox"/>	<input type="checkbox"/>
V50080SC110-BG	500	800	<input type="checkbox"/>	<input type="checkbox"/>
V50050SC110-BG	500	1200	<input type="checkbox"/>	<input type="checkbox"/>
V50080SC110-BG	500	1500	<input type="checkbox"/>	<input type="checkbox"/>
V60080SC110-BG	600	800	<input type="checkbox"/>	<input type="checkbox"/>
V80080SC110-BG	800	800	<input type="checkbox"/>	<input type="checkbox"/>

TABELLA VASCHETTA CON PER BORDO GUAINA



Sifone asportabile e sanificabile



Antiscivolo classe R13
din 51130:2014

Codice	A (mm)	B (mm)	CESTO FILTRO SOTTOGRIGLIA (optional)	Quantità
V20300SF110-BG	200	3000	<input type="checkbox"/>	<input type="text"/>
V20340SF110-BG	200	3400	<input type="checkbox"/>	<input type="text"/>
V20380SF110-BG	200	3800	<input type="checkbox"/>	<input type="text"/>
V20420SF110-BG	200	4200	<input type="checkbox"/>	<input type="text"/>
V20460SF110-BG	200	4600	<input type="checkbox"/>	<input type="text"/>
V30300SF110-BG	300	3000	<input type="checkbox"/>	<input type="text"/>
V30340SF110-BG	300	3400	<input type="checkbox"/>	<input type="text"/>
V30380SF110-BG	300	3800	<input type="checkbox"/>	<input type="text"/>
V30420SF110-BG	300	4200	<input type="checkbox"/>	<input type="text"/>
V30460SF110-BG	300	4600	<input type="checkbox"/>	<input type="text"/>
V40300SF110-BG	400	3000	<input type="checkbox"/>	<input type="text"/>
V40340SF110-BG	400	3400	<input type="checkbox"/>	<input type="text"/>
V40380SF110-BG	400	3800	<input type="checkbox"/>	<input type="text"/>
V40420SF110-BG	400	4200	<input type="checkbox"/>	<input type="text"/>
V40480SF110-BG	400	4600	<input type="checkbox"/>	<input type="text"/>